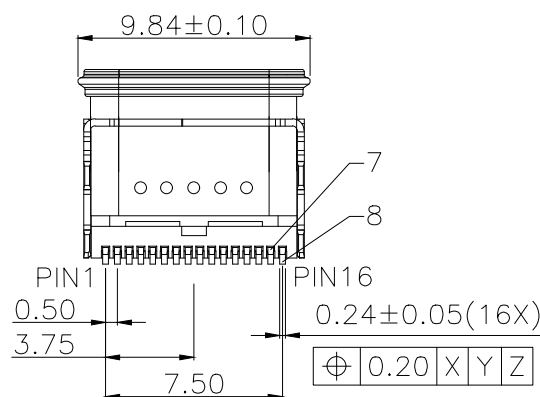
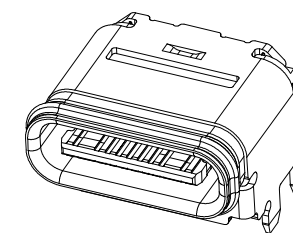
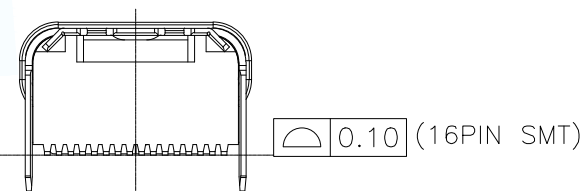
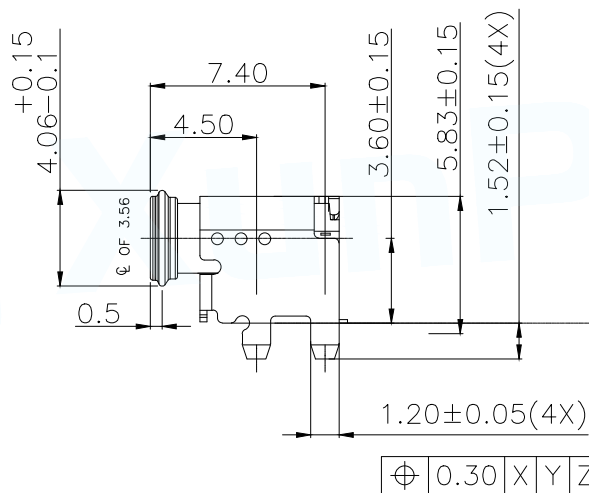
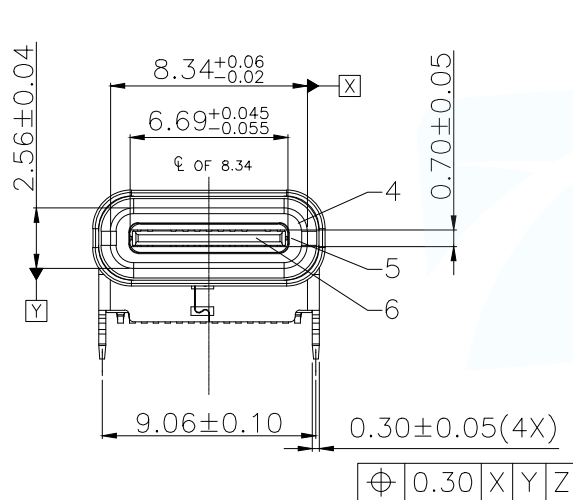
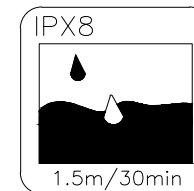
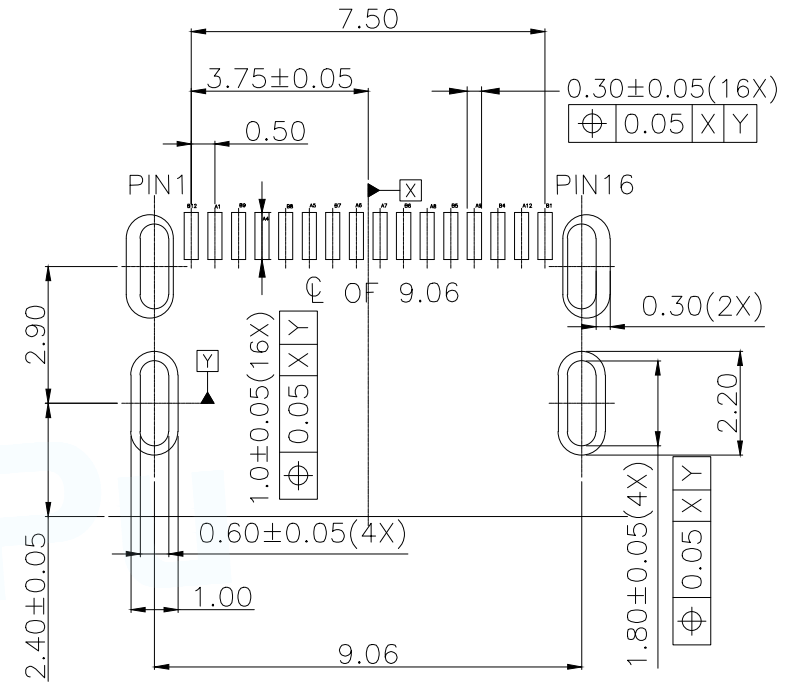
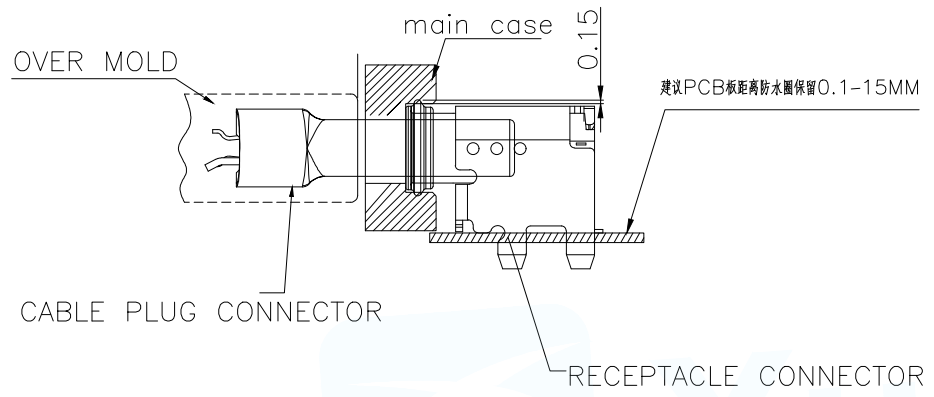
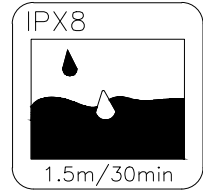


Notes:
 1.ELECTICAL characteristics:
 1-1.Dielectric withstance:500V AC/1minute.
 1-2.Current rating:
 Vbus and GND contact:≥1.25A/pin,Paralleled for a total of 5A Min
 Other contacts:≥0.25A/pin
 1-3.Initial LLCR 40mΩ max,after test ±10mΩ max:
 40mΩ MAX.FOR VBUS,GND AND OTHE CONTACTS,
 50mΩ MAX.FINAL AFTER TEST.
 1-4.Insulation Resistance:1000MΩ Min
 2: Mechanical characteristics
 2-1 Insert force:5~20N MAX.
 Withdraw force:8~20N,after test:6~20N
 2-2 Durability:10000 cycles min
 2-3 Laser point:Height<0.05mm,Pulling force>50N
 3: Envirmention characteristics
 3-1 Opreating temperature:-40~+85t
 3-2 Salty spray:48hours(EIA-364-26B-B)
 4. Burr:0.05MM MAX.
 5. Tape and reel packing satisfy EIA-364-481 standard



⑧	1	下端子	铜合金C7025 TM03	镀金3U
⑦	1	上端子	铜合金C7025 TM03	镀金3U
⑥	1	I/M	LCP E130I	/
⑤	1	中隔板	不锈钢SUS301	水洗
④	1	EMI	不锈钢SUS304	水洗
③	1	内铁壳	不锈钢SUS304	水洗
②	1	密封圈	液态硅胶成型黑色	/
①	1	外铁壳	不锈钢304	镀镍
序号	数量	零件名称	材料	镀层

MANUFACTURE DWG		东莞市讯普电子科技有限公司 DongGuan XunPu Electronics Co.,Ltd	
UNLESS OTHERWISE SPECIFIED TOLERANCES			TITLE: CH3.60 TYPE-C 母座16P板上一体防水LIM款
DECIMALS:	ANGLES:		PAR TYPE-C-604-WSRX8H360
.X:±0.30	X.°:±10°		DWN
.XX:±0.20	.X':±8'		CHKD
.XXX:±0.10		APVD	SCALE:1:1 UNIT:MM
CUSTOMER COPY		SIZE:A4	SHEET:1F1 REV:A



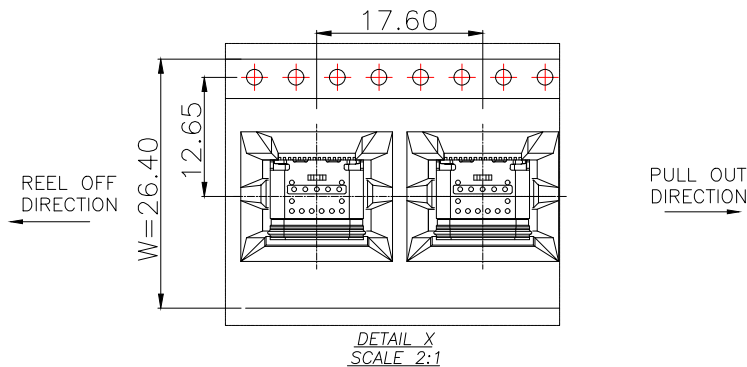
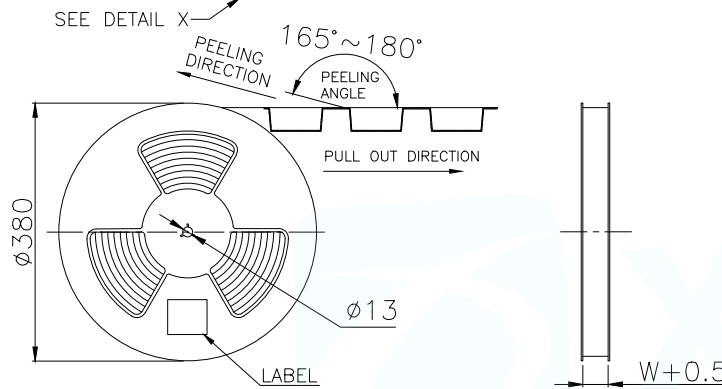
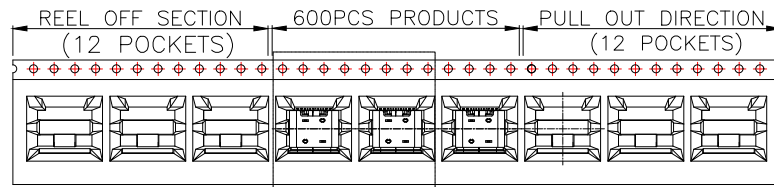
RECOMMENDED PCB LAYOUT(TOP VIEW)

PCB THICKNESS 1.72±0.05MM

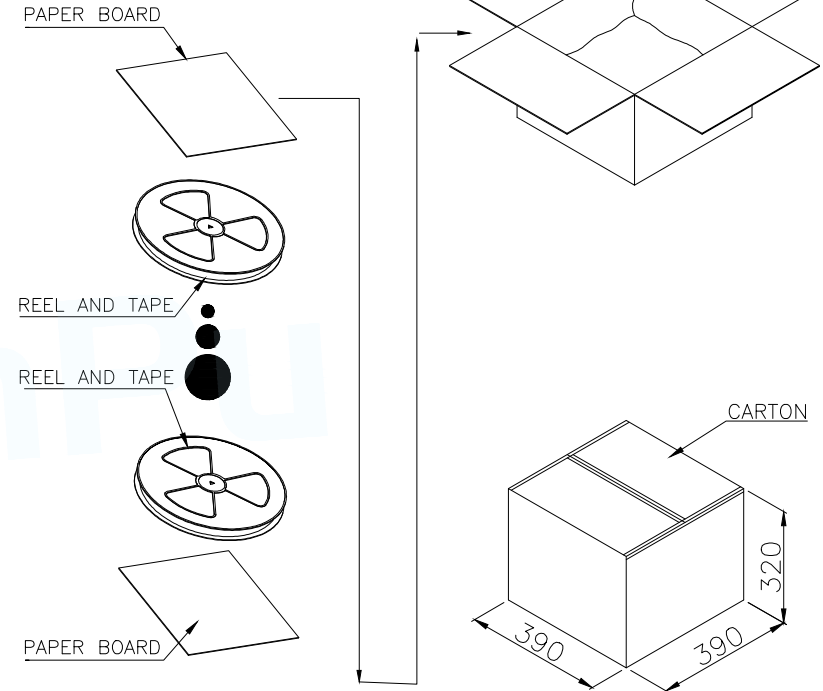
Pin	Signal	Description	Mating Sequence	Description	Signal	Pin
2	A1	GND	First	Ground return	GND	B12
/	A2	TX1+	Second	/	RX1+	B11
/	A3	TX1-	Second	/	RX1-	B10
4	A4	VBUS	First	Bus Power	VBUS	B9
6	A5	CC1	Second	Sideband Use(SBU)	SBU2	B8
8	A6	D+	Second	Negative half of the USB 2.0 differential pair-Position 2	D-	B7
9	A7	D-	Second	Positive half of the USB 2.0 differential pair-Position 2	D+	B6
11	A8	SBU1	Second	Configuration Channel	CC2	B5
13	A9	VBUS	First	Bus Power	VBUS	B4
/	A10	RX2-	Second	/	TX2-	B3
/	A11	RX2+	Second	/	TX2+	B2
15	A12	GND	First	Ground return	GND	B1

MANUFACTURE DWG		东莞市讯普电子科技有限公司 DongGuan XunPu Electronics Co.,Ltd	
UNLESS OTHERWISE SPECIFIED TOLERANCES			TITLE: CH3.60 TYPE-C 母座16P板上一体防水LIM款
DECIMALS:	ANGLES:		PAR TYPE-C-604-WSRX8H360
.X:±0.30	X':±10°		DWN
.XX:±0.20	.X':±8°		CHKD
.XXX:±0.10		APVD	SCALE 1:1 UNIT:MM
CUSTOMER COPY		SIZE:A4	SHEET:1F1 REV:A

12	13	14	15
MAPX	MODIFICATION	DATE	DRAW



每盘真空包装



	REEL	CARTON
CONNECTOR (PCS)	600	6000

MANUFACTURE DWG		东莞市讯普电子科技有限公司 DongGuan XunPu Electronics Co.,Ltd	
UNLESS OTHERWISE SPECIFIED TOLERANCES		TITLE: USB C F 16PIN SMT CH=3.60	
DECIMALS:	ANGLES:	PAR	TYPE-C-604-WSRX8H360
.X:±0.30	X.:±10°	DWN	
.XX:±0.20	.X':±8°	CHKD	
.XXX:±0.10		APVD	
CUSTOMER COPY		SCALE:1:1	UNIT:MM
		SIZE:A4	SHEET:1F1
			REV:A

