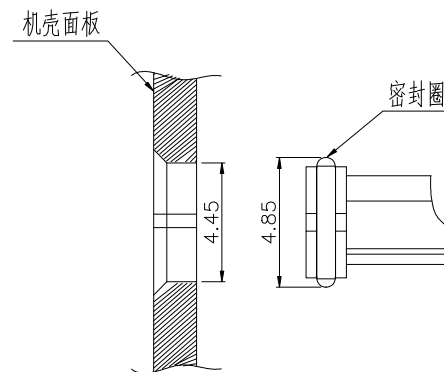
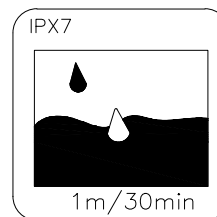
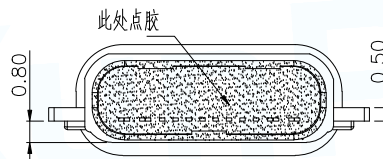
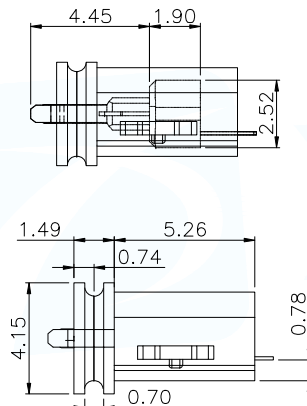
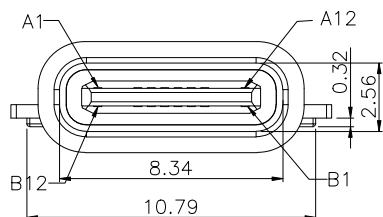


加防水圈示意图



前后组装方式



Note:

1. Material:

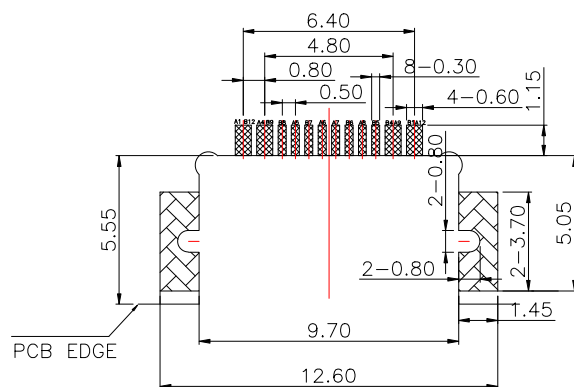
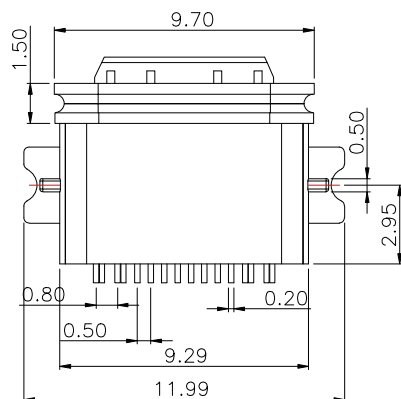
- 1.1 Housing: PA9T
- 1.2 Contact: C7025, t=0.12mm middleclip SUS t=0.15mm
- 1.3 Shell: Zinc Alloy.

2. ELECTRICAL:

- 2-1: CURRENT RATING:
  - VBUS AND GND CONTACTS RATED AT 1.25A PARALLELED FOR A TOTAL OF 3A;
- 2-2: INITIAL CONTACT RESISTANCE :40 MEGOHMS
- 2-3: DIELECTRIC WITHSTANDING VOLTAGE: 30V AC MIN;
- 3: MECHANICAL CHARACTERISTICS:
  - 3-1: MATING FORCE: 5~20N
  - 3-2: UNMATING FORCE: 8~20N (INITIAL), 6~20N (AFTER 10000 CYCLES)
  - 3-3: FREQUENCY: 200±50 CYCLES / HOUR, 10000 CYCLES
  - 3-4: OPERATING TEMPERATURE : -40°~80°.

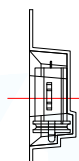
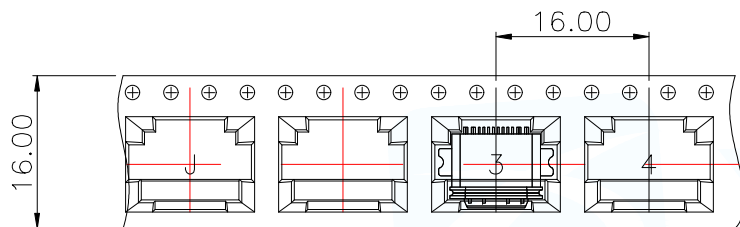
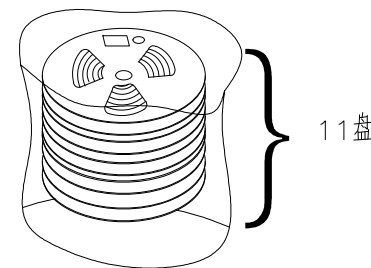
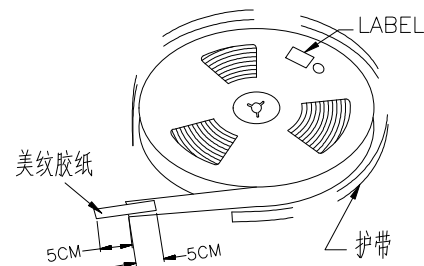
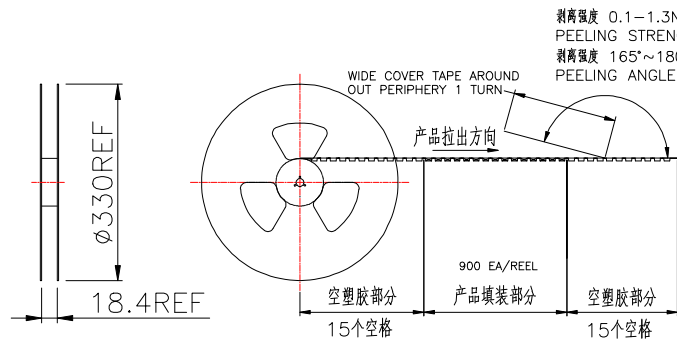
4. WATERPROOF: IP-X7.

A1	GND	B12	GND
A4	VBUS	B9	VBUS
A5	CC1	B8	SBU2
A6	DP1	B7	DN2
A7	DN1	B6	DP2
A8	SBU1	B5	CC2
A9	VBUS	B4	VBUS
A12	GND	B1	GND
PIN	SIGNAL NAME	PIN	SIGNAL NAME

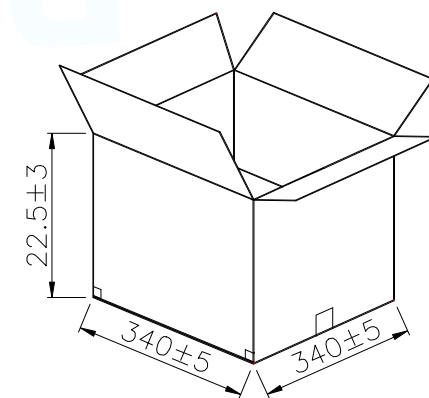
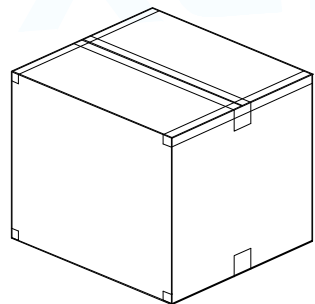


RECOMMENDED P.C.B. LAYOUT  
TOLERANCE UNSPECIFIED ±0.05mm

MANUFACTURE DWG			东莞市讯普电子科技有限公司 DongGuan XunPu Electronics Co., Ltd	
UNLESS OTHERWISE SPECIFIED TOLERANCES			TITLE: TYPE-C 16pin 沉板0.8压铸防水	
DECIMALS:	ANGLES:	PAR	TYPEC-318A-ARP16X7SC08	
.X: ±0.20	X': ±2°	DWN		
.XX: ±0.15	.X': ±0.5°	CHKD		
.XXX: ±0.05		APVD		
CUSTOMER COPY		SCALE 1:1	UNIT: MM	
		SIZE: A4	SHEET: 1F1	REV: A



出盘方向



说明:

1. 将检查合格的产品,放入承载带中,一盘包装900/PCS
2. 将11承载带放入纸箱中;
3. 将纸箱封装好,贴上标签.

每箱数量	净重(Kg)	毛重(Kg)
9900PCS	xxx	xxx

MANUFACTURE DWG			东莞市讯普电子科技有限公司 DongGuan XunPu Electronics Co.,Ltd	
UNLESS OTHERWISE SPECIFIED TOLERANCES			TITLE:TYPE-C 16pin 沉板0.8压铸防水	
DECIMALS:	ANGLES:	PAR	TYPEC-318A-ARP16X7SC08	
.X:±0.20	X':±2°	DWN		
.XX:±0.15	.X':±0.5°	CHKD		
.XXX:±0.05		APVD		
CUSTOMER COPY		SCALE1:1	UNIT:MM	
		SIZE:A4	SHEET:1F1	REV:A