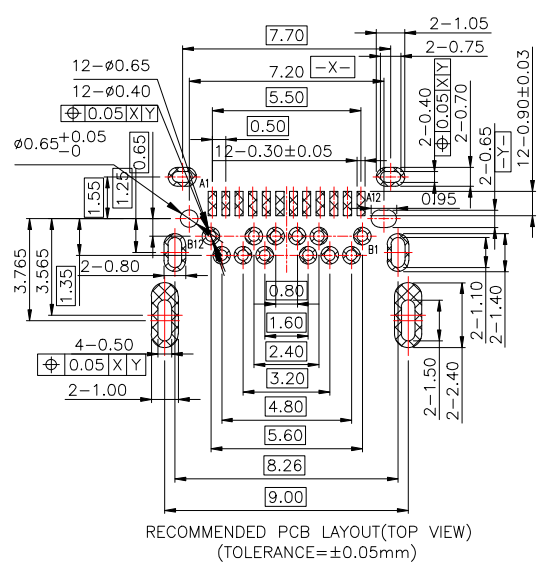
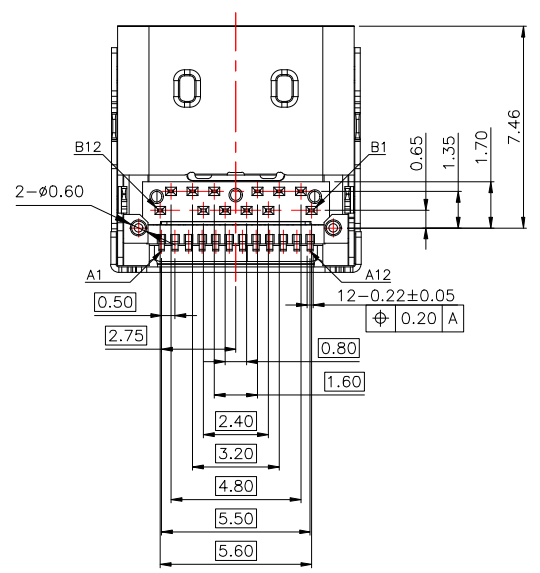
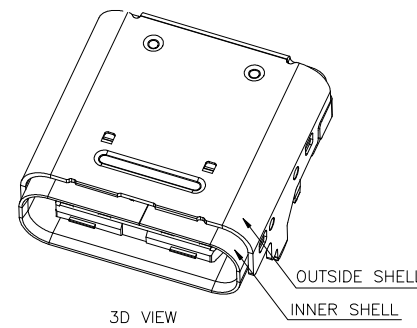
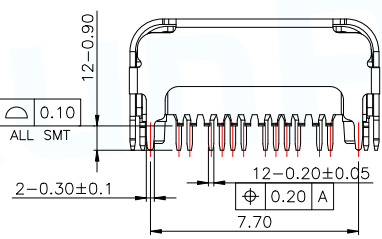
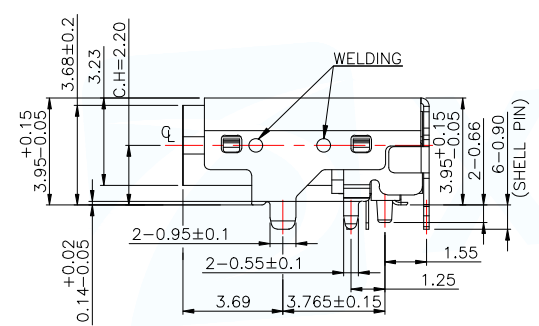
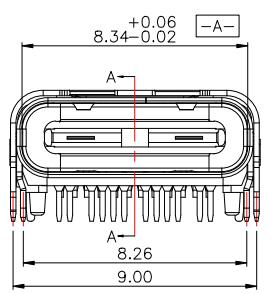
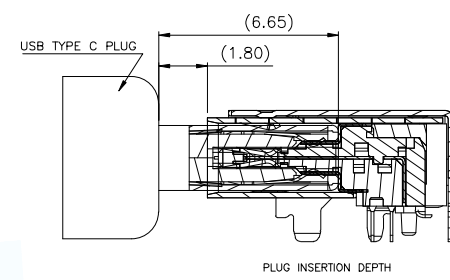
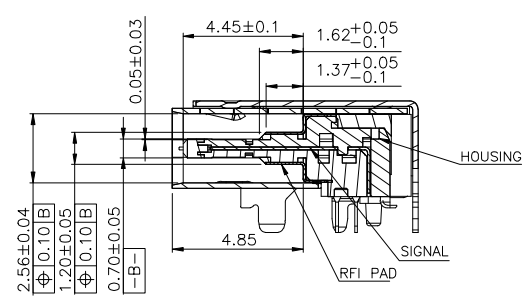
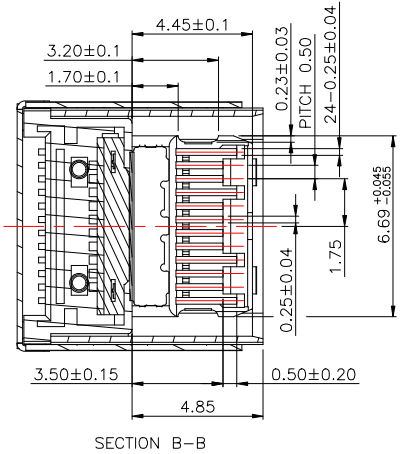
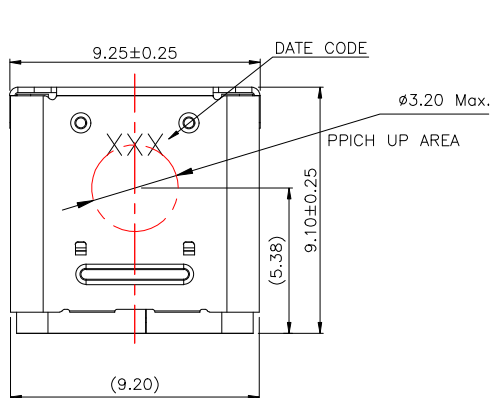


MAPX	MODIFICATION	DATE	DRAW	APPROVE



MANUFACTURE DWG			 东莞市讯普电子科技有限公司 DongGuan XunPu Electronics Co.,Ltd	
UNLESS OTHERWISE SPECIFIED TOLERANCES			TITLE: USB TYPE C (C.H=2.20mm)	
DECIMALS:	ANGLES:	PAR	TYPEC-350-ACP24	
.X:±0.30	X':±10°	DWN	CHKD	APVD
.XX:±0.20	.X':±8°	SCALE1:1	UNIT:MM	REV:A
.XXX:±0.10	.XX':±5°	CUSTOMER COPY	SIZE:A4	SHEET:1F1