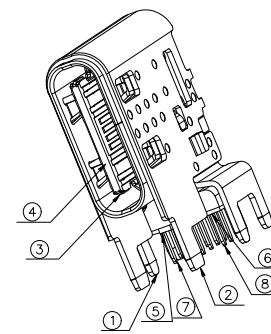
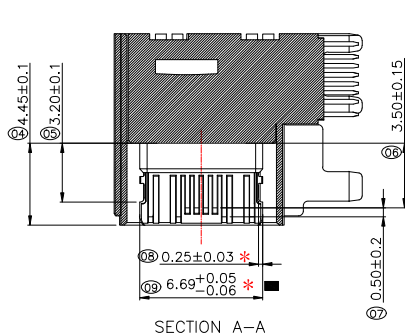
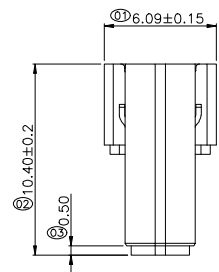
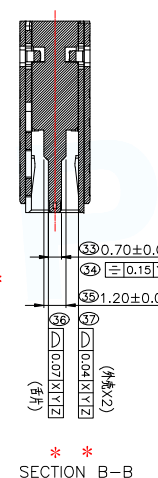
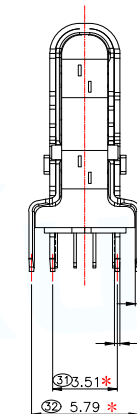
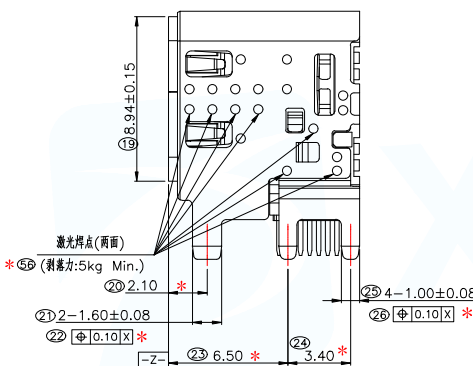
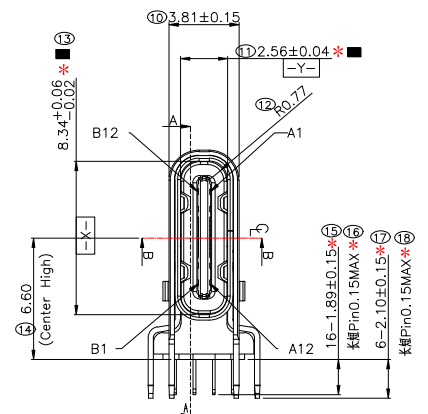


MAPX	MODIFICATION	DATE	DRAW	APPROVE

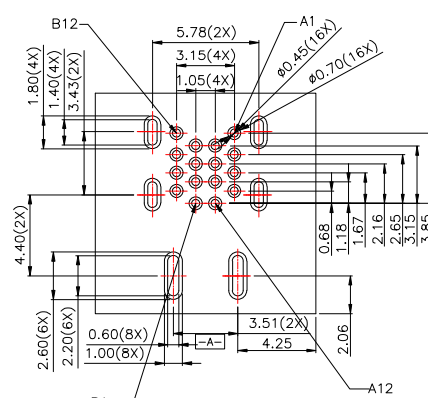
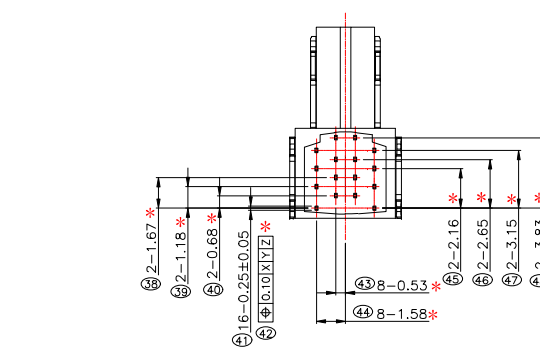


NOTE:

- Electrical Characteristics:
 - 1-1: Current Rating: 5A For Pin(A4,A9,B4,B9)
1.25A For Pin(B5)
0.25A For Others Pin
 - 1-2: VOLTAGE RATING:20V AC/DC,
 - 1-3: Insulation Resistance: 100M Ω Min.
 - 1-4: Contact Resistance:
VBUS & GND PINS AND OTHER PINS: 40m Ω /PIN MAX.
SHIELD:50m Ω /MAX.
SHIELD:LLCR MAX. CHANGE OF ALL PINS: 10m Ω .
 - 1-5: Dielectric Withstanding Voltage: 100V/AC 1Minute
- Mechanical Characteristics:
 - Insertion Force: 5~20N
 - Extraction Force: Initial: 8~20N
After durability: 6~20N
 - Durability :10000 Cycles
- Operating Temperature: -30°C TO +85°C
- 环境性能:
 - 盐水喷雾72H Min
 - 产品需过IR炉,温度260°C,10分钟,



- Operating Temperature: -30°C TO +85°C
- 环境性能:
 - 盐水喷雾72H Min
 - 产品需过IR炉,温度260°C,10分钟,
- 8." * "为重点管制尺寸," ■ "为CPK管制尺寸," ⊗ "为FAI管制尺寸."



PIN ASSIGNMENT											
A1	A2	A3	A4	A5	A6	A7	A8	A9	A10	A11	A12
GND	\	\	VBUS	CC1	Dp1	Dn1	SBU1	VBUS	\	\	GND
GND	B11	B10	VBUS	SBU2	Dn2	Dp2	CC2	VBUS	B3	B2	GND
B12	B11	B10	B9	B8	B7	B6	B5	B4	B3	B2	B1

PCB LAYOUT T=1.60mm
TOL:+/-0.05mm

⑧ 上排端子	12	C7025-TM03,T=0.15	镀层:80-200u", 接触区:电镀12u",镀金2u"Min, 焊接区:镀金2u"Min,	
⑦ 下排端子	12			
⑥ 上排Moding	1	PA46 HFX33S UL94 V-0	黑色/白色	
⑤ 下排Moding	1			
④ 二次Moding	1	SUS301R-H,T=0.20	整体镀镍40-200u",盐雾72H	
③ 中夹片	1			
② 内壳	1			SUS304-1/2H,T=0.30
① 外壳	1	SUS304-1/2H,T=0.30	整体镀镍40-200u",盐雾72H	
NO.	品名	数量	材质	表面处理

MANUFACTURE DWG

UNLESS OTHERWISE SPECIFIED TOLERANCES

DECIMALS: .X:±0.30 .XX:±0.20 .XXX:±0.10

ANGLES: X'.:±3° X.X':±2'

CUSTOMER COPY

东莞市讯普电子科技有限公司
DongGuan XunPu Electronics Co.,Ltd

TITLE: Type C 16Pin 45W 侧立式母座

PAR TYPEC-314DCL-ARP16

DWN

CHKD

APVD

SCALE1:1 UNIT:MM

SIZE:A4 SHEET:1F1 REV:A