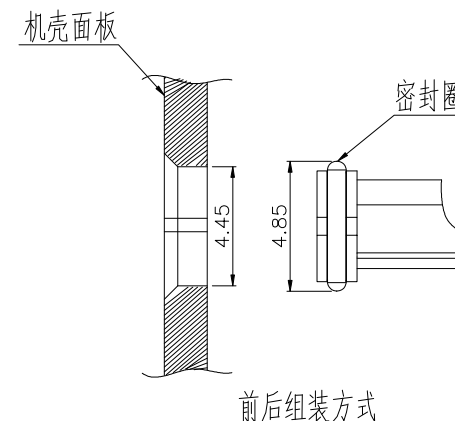
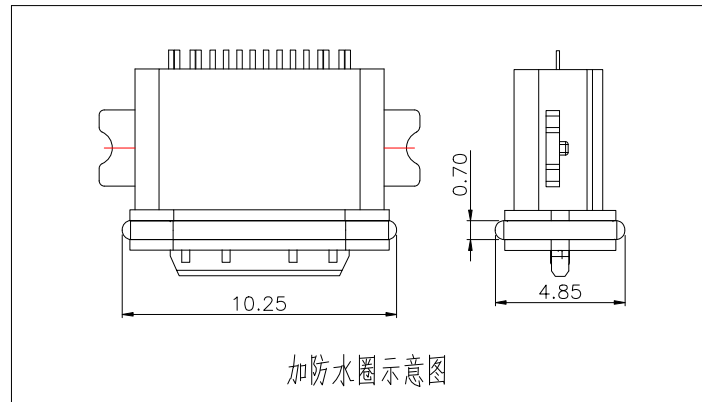
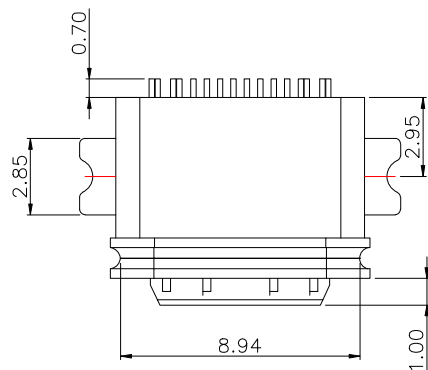


MAPX	MODIFICATION	DATE	DRAW	APPROVE



前后组装方式

Note:

1.Material:

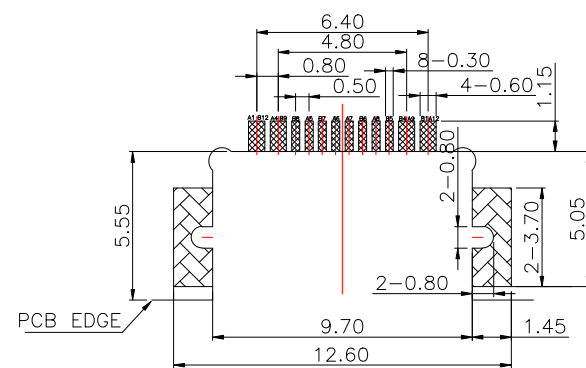
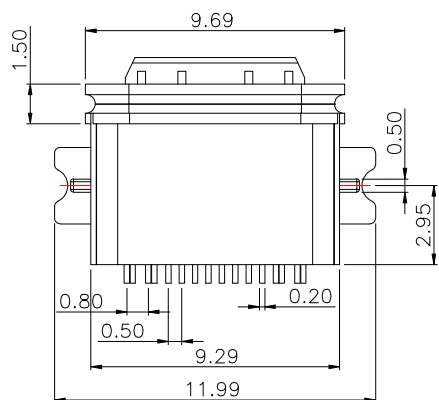
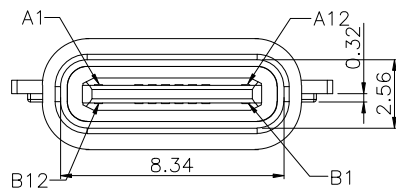
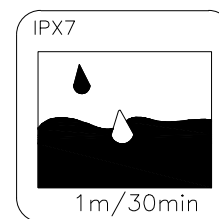
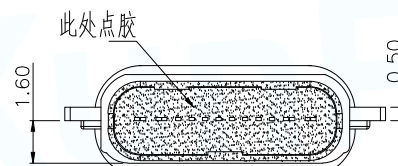
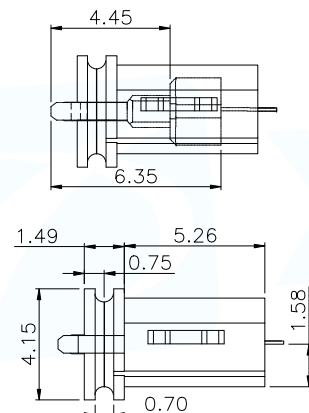
- 1.1 Housing: PA9T
- 1.2 Contact:C7025,t=0.12mm middleclip SUS t=0.15mm
- 1.3 Shell: Zinc Alloy.

2.ELECTRICAL:

- 2-1:CURRENT RATING:
VBUS AND GND CONTACTS RATED AT 1.25A
PARALLELED FOR A TOTAL OF 3A;
- 2-2:INITIAL CONTACT RESISTANCE :40 MEGOHMS
- 2-3:DIELECTRIC WITHSTANDING VOLTAGE:
30V AC MIN;
- 3:MECHANICAL CHARACTERISTICS:
3-1:MATING FORCE:5~20N
3-2:UNMATING FORCE:8~20N(INITIAL),
6~20N(AFTER 10000 CYCLES)
- 3-3:FREQUENCE: 200±50 CYCLES /HOUR,10000 CYCLES
- 3-4:OPERATING TEMPERATURE ;-40'~80'.

4: WATERPROOF: IP-X7.

A1	GND	B12	GND
A4	VBUS	B9	VBUS
A5	CC1	B8	SBU2
A6	DP1	B7	DN2
A7	DN1	B6	DP2
A8	SBU1	B5	CC2
A9	VBUS	B4	VBUS
A12	GND	B1	GND
PIN	SIGNAL NAME	PIN	SIGNAL NAME



RECOMMENDED P.C.B. LAYOUT
TOLERANCE UNSPECIFIED ±0.05mm

MANUFACTURE DWG

东莞市讯普电子科技有限公司
DongGuan XunPu Electronics Co.,Ltd

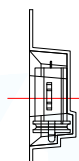
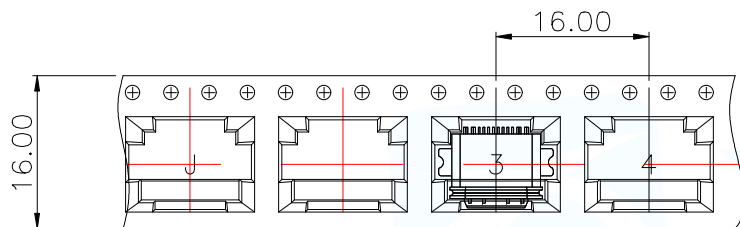
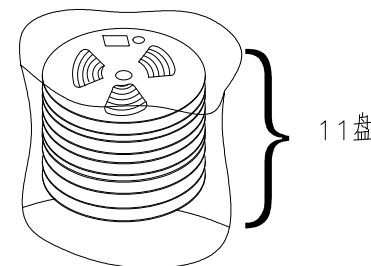
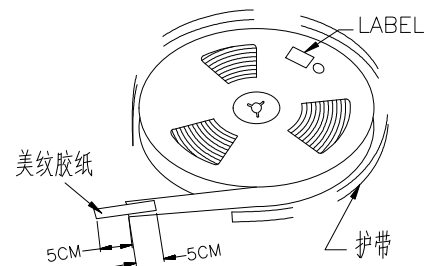
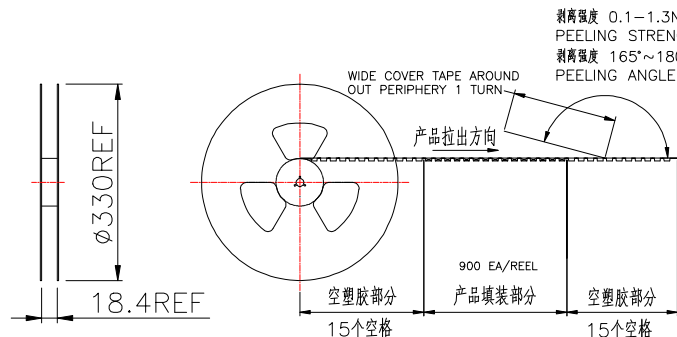
UNLESS OTHERWISE SPECIFIED TOLERANCES



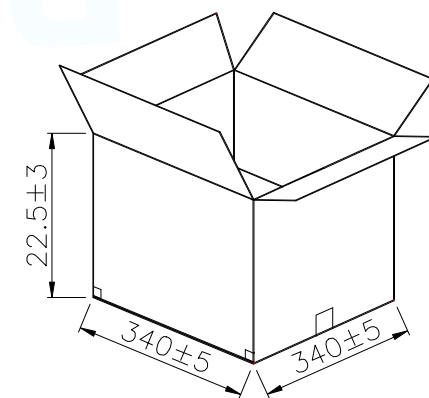
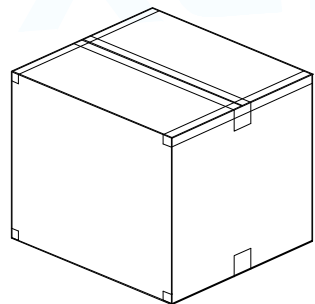
TITLE:TYPE-C 16pin 讯源0.8压铸防水

DECIMALS:	ANGLES:
.X:±0.20	X':±2°
.XX:±0.15	.X':±0.5°
.XXX:±0.05	

PAR	TYPEC-318A-ARP16X7SC16
DWN	
CHKD	
APVD	
SCALE1:1	UNIT:MM
SIZE:A4	SHEET:1F1
CUSTOMER COPY	REV:A



出盘方向



说明:

1. 将检查合格的产品,放入承载带中,一盘包装900/PCS
2. 将11承载带放入纸箱中;
3. 将纸箱封装好,贴上标签.

每箱数量	净重(Kg)	毛重(Kg)
9900PCS	xxx	xxx

MANUFACTURE DWG			东莞市讯普电子科技有限公司 DongGuan XunPu Electronics Co.,Ltd	
UNLESS OTHERWISE SPECIFIED TOLERANCES			TITLE:TYPE-C 16pin 沉板1.6压铸防水	
DECIMALS:	ANGLES:	PAR	TYPEC-318A-ARP16X7SC16	
.X:±0.20	X':±2°	DWN		
.XX:±0.15	.X':±0.5°	CHKD		
.XXX:±0.05		APVD		
CUSTOMER COPY		SCALE1:1	UNIT:MM	
		SIZE:A4	SHEET:1F1	REV:A