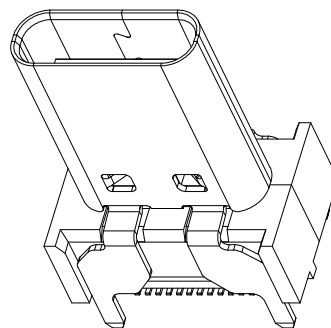
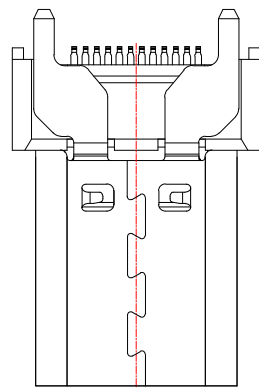
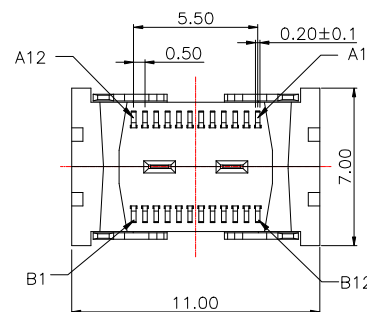
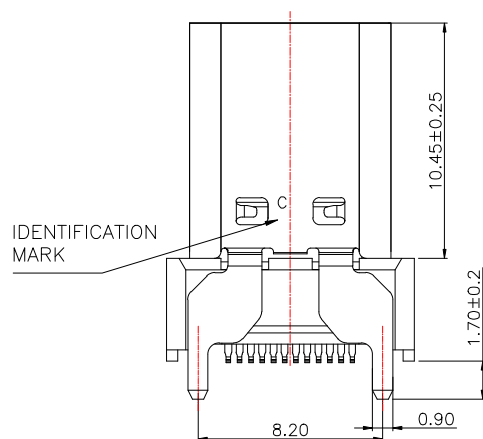
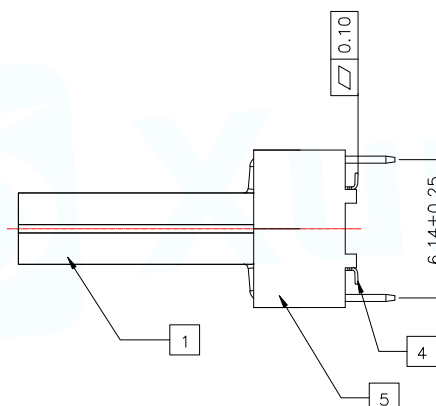
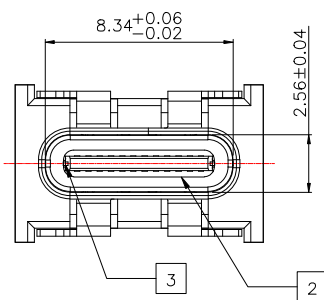


12	13	14	15
MAPX	MODIFICATION	DATE	DRAW



NOTE:

- 1.Contact Resistance:40mOHM Max.;
- 2.Dielectric Withstanding Voltage:100V AC For 1 Minute;
- 3.Insulation Resistance:100M OHM Min.;
- 4.Mating And Unmating Force:
Mating Force: 5~20N
Unmating Force: 8~20N;
6~20N AFTER TEST;
- 5.Durability:10000 Cycles;



Item	Title	Material	Dispose	Q'TY
1	Shell	SUS304	Ni:30u" Min.	1PCS
2	GND Plate	SUS301		2PCS
3	Mid Plate	SUS301		1PCS
4	Contact	C7025	Mating Area: See P/N Solder Tails: Matt Tin	2PCS
5	InsertMolding	LCP E6808	UL 94V-0 Black	1PCS
6	COVER	LCP E6808	UL 94V-0 Black	1PCS

MANUFACTURE DWG



UNLESS OTHERWISE SPECIFIED TOLERANCES

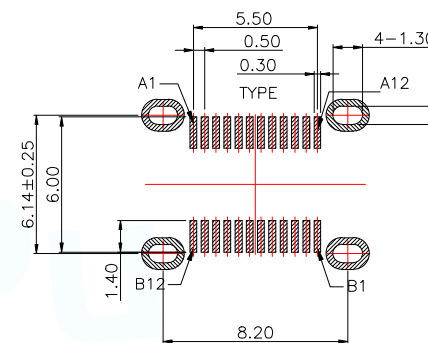
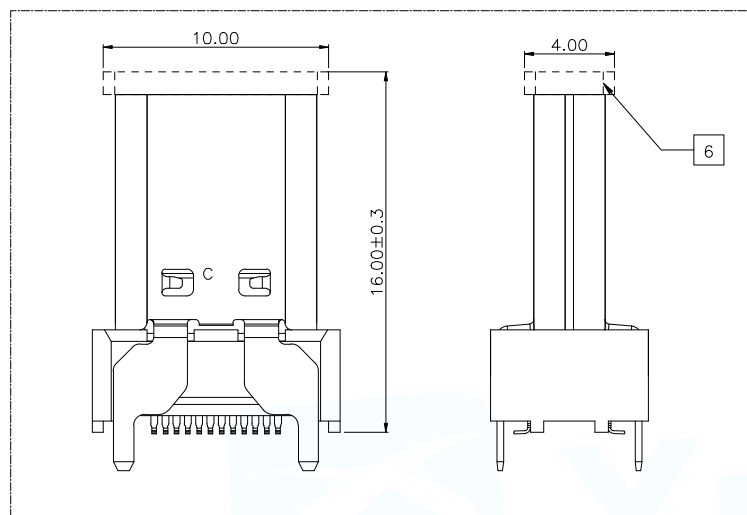


TITLE:USB 3.1 TYPE C FEMALE VERTICAL H 15.0mm SMT TYPE

DECIMALS:	ANGLES:
.X:±0.30	.X':±10'
.XX:±0.20	.X":±8"
.XXX:±0.10	.XX':±5'

PAR	TYPEC-514L-ARP24
DWN	
CHKD	
APVD	
SCALE1:1	UNIT:MM
SIZE:A4	SHEET:1F1
CUSTOMER COPY	REV:A

CAP VIEW



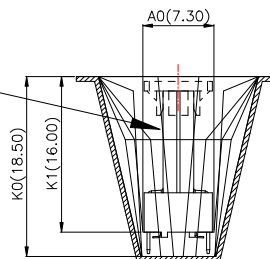
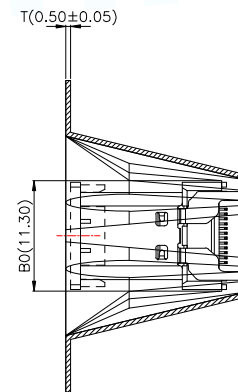
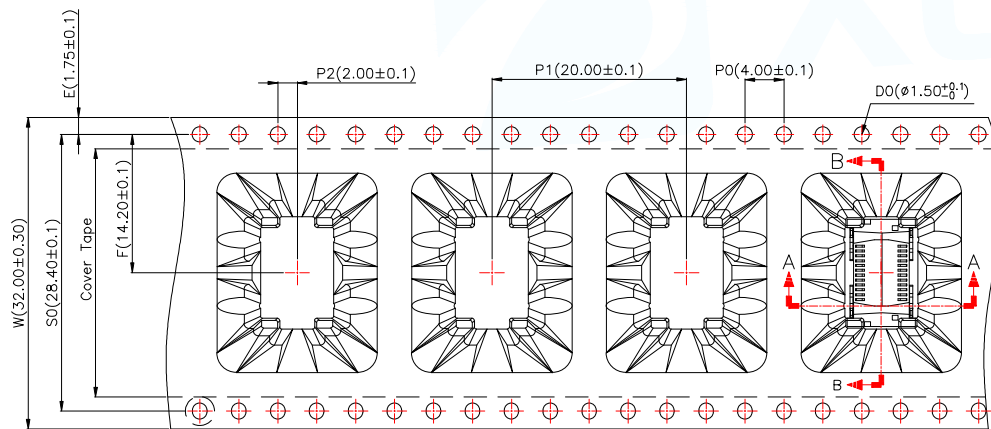
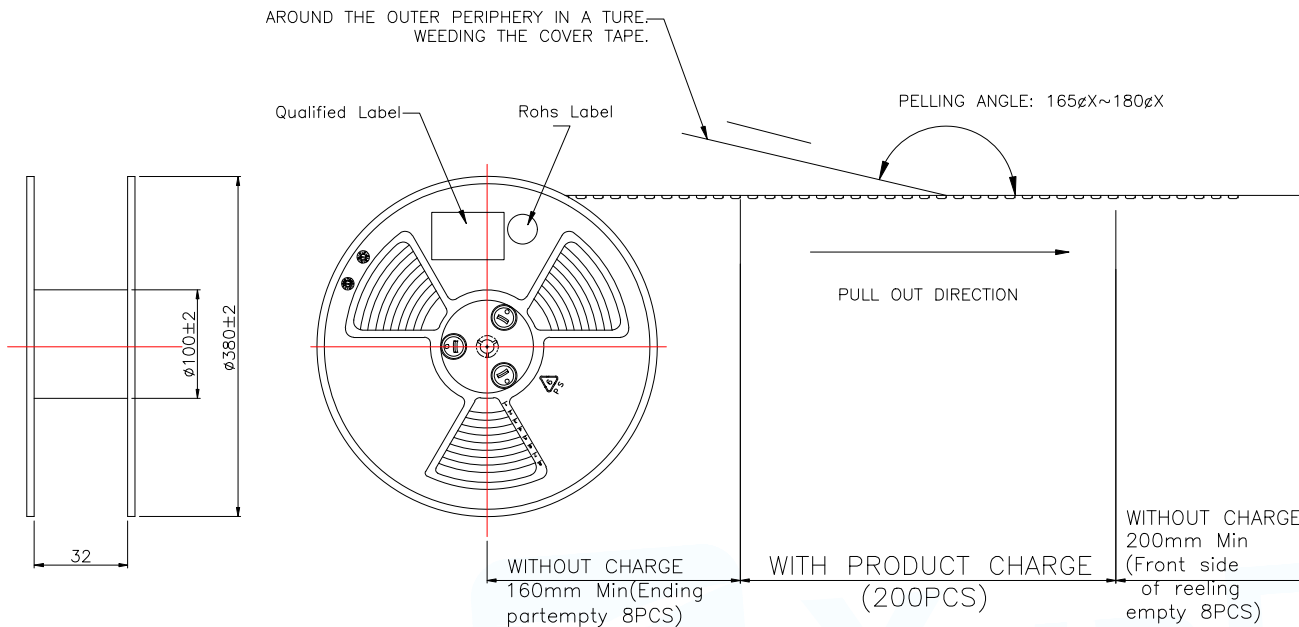
USB TYPE-C PIN ASSIGNMENTS

PIN NUMBER	SIGNAL NAME	PIN NUMBER	SIGNAL NAME
A1	GND	B12	GND
A2	SSTXp1	B11	SSRXp1
A3	SSTXn1	B10	SSRXn1
A4	Vbus	B9	Vbus
A5	CC1	B8	SBU2
A6	Dp1	B7	Dn2
A7	Dn1	B6	Dp2
A8	SBU1	B5	CC2
A9	Vbus	B4	Vbus
A10	SSRXn2	B3	SSTXn2
A11	SSRXp2	B2	SSTXp2
A12	GND	B1	GND

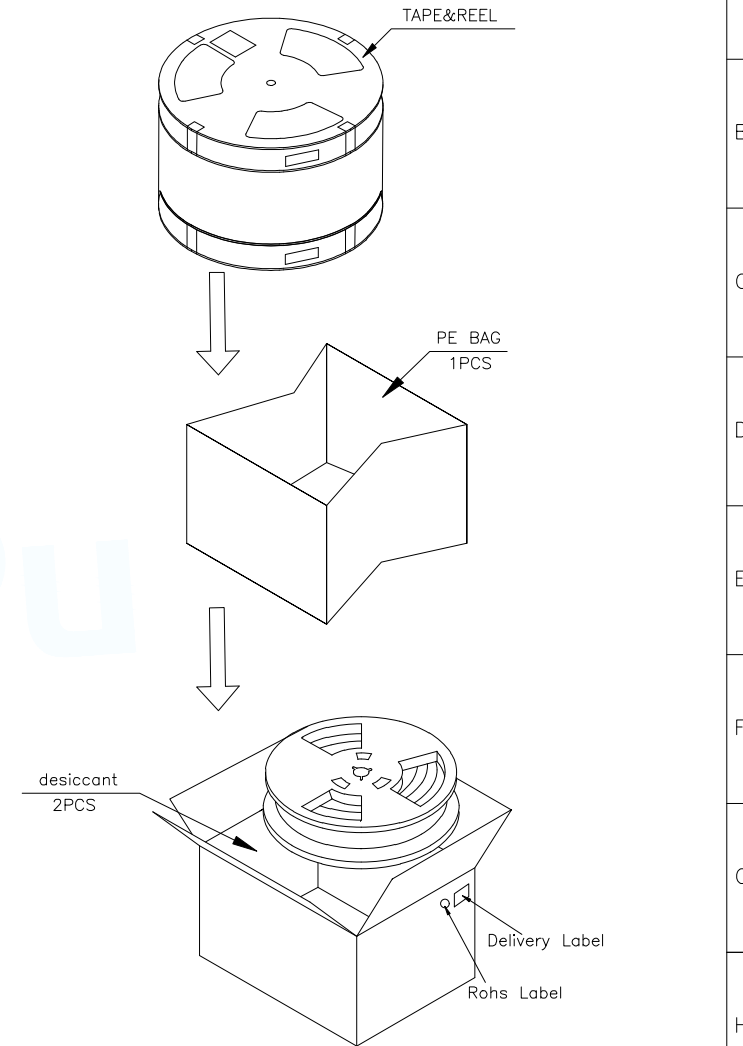
RECOMMEND P.C.B LAYOUT(COMPONENT SIDE)

TOLERANCE FOR PCB LAYOUT IS ± 0.05
KEEP OUT AREA

MANUFACTURE DWG			东莞市讯普电子科技有限公司 DongGuan XunPu Electronics Co.,Ltd	
UNLESS OTHERWISE SPECIFIED TOLERANCES			TITLE:USB 3.1 TYPE C FEMALE VERTICAL H 15.0mm SMT TYPE	
DECIMALS:	ANGLES:	PAR	TYPEC-514L-ARP24	
.X:±0.30	.X':±10°	DWN		
.XX:±0.20	.X':±8°	CHKD		
.XXX:±0.10	.XX':±5°	APVD		
CUSTOMER COPY		SCALE1:1	UNIT:MM	
		SIZE:A4	SHEET:1F1	REV:A



Surface direction can be inconsisten



MANUFACTURE DWG			东莞市讯普电子科技有限公司 DongGuan XunPu Electronics Co.,Ltd	
UNLESS OTHERWISE SPECIFIED TOLERANCES			TITLE:USB 3.1 TYPE C FEMALE VERTICAL H 15.0mm SMT TYPE	
DECIMALS:	ANGLES:	PAR	TYPEC-514L-ARP24	
.X:±0.30	.X':±10°	DWN		
.XX:±0.20	.X':±8°	CHKD		
.XXX:±0.10	.XX':±5°	APVD		
CUSTOMER COPY		SCALE1:1	UNIT:MM	
		SIZE:A4	SHEET:1F1	REV:A