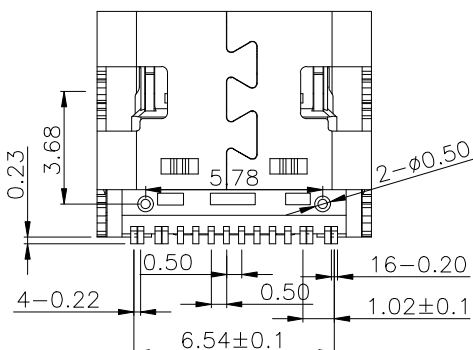
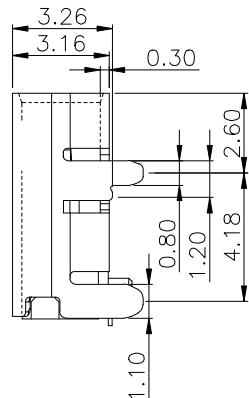
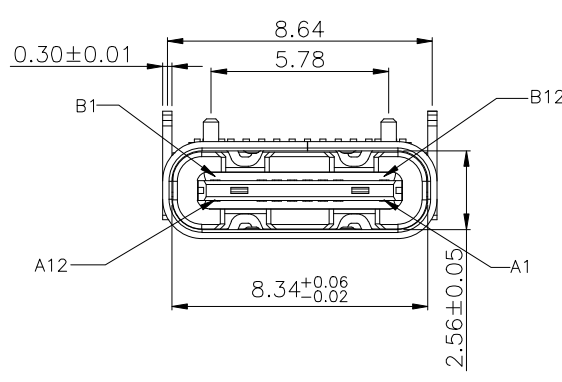
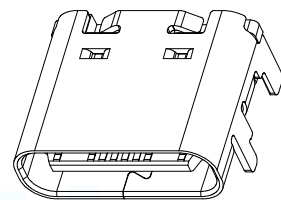


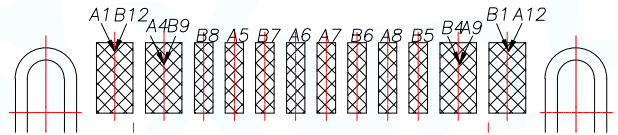
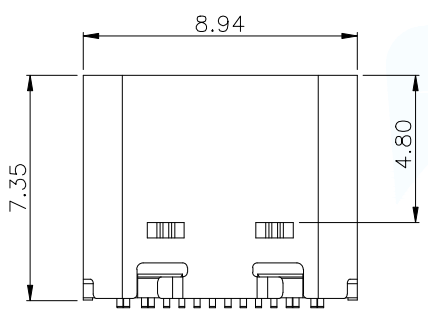
MAPX	MODIFICATION	DATE	DRAW	APPROVE



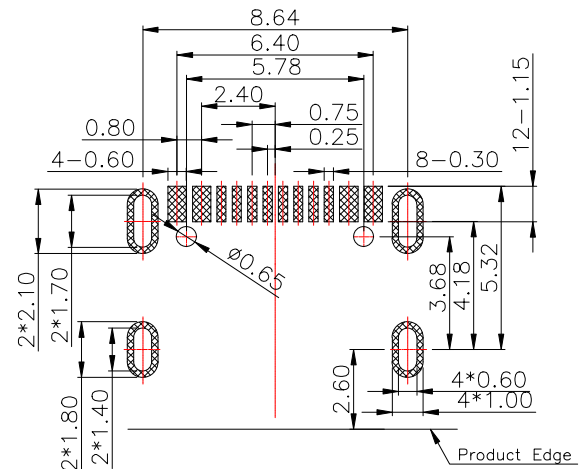
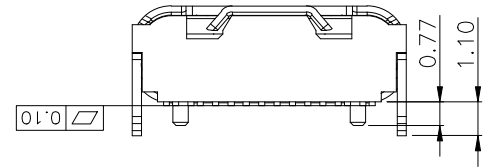
- SPECIFICATIONS:
- ELECTRICAL CHARACTERISTICS:
 - CONTACT RESISTANCE: 30mΩ MAX.
 - DIELECTRIC WITHSTANDING VOLTAGE: 100V AC FOR ONE MINUTE.
 - INSULATION RESISTANCE: 100MΩ MIN. MEASURED BY 500 VDC
 - MECHANICAL CHARACTERISTICS:
 - INSERTION FORCE :0.5-2.0Kg(REF.)
 - WITHDRAWAL FORCE :0.8-2.0Kg(REF.)
 - LIFE TEST: 10,000 CYCLES.
 - TO CONFORM TO THE KRCONN HAZARDOUS SUBSTANCE FREE SPEC.



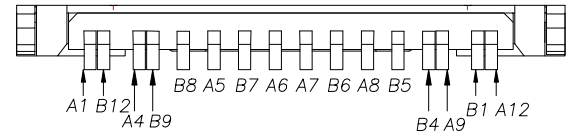
TYPEC-304A-ACP16W	白色
TYPEC-304A-ACP16G	绿色
TYPEC-304A-ACP16L	蓝色
TYPEC-304A-ACP16O	橙色
Part No.:	Color



A1	GND	B12	GND
A4	VBUS	B9	VBUS
A5	CC1	B8	SBU2
A6	DP1	B7	DN2
A7	DN1	B6	DP2
A8	SBU1	B5	CC2
A9	VBUS	B4	VBUS
A12	GND	B1	GND
PIN	SIGNAL NAME	PIN	SIGNAL NAME



RECOMMENDED P.C.B. LAYOUT
TOLERANCE UNSPECIFIED ±0.05mm



6	SHELL	STAINLESS STEEL	NI Plated	1PCS
5	SHIELDING PLATE	STAINLESS STEEL	---	1PCS
4	MD	HIGH TEMPERATURE PLASTIC	BLACK	1PCS
3	CONTACT	COPPER ALLOY	Au/Ni Plated	1SET
2	CONTACT	COPPER ALLOY	Au/Ni Plated	1SET
1	HOUSING	HIGH TEMPERATURE PLASTIC	BLACK	1PCS
NO.	DESCRIPTION	MATERIAL	REMARKS	QTY

MANUFACTURE DWG

UNLESS OTHERWISE SPECIFIED TOLERANCES

DECIMALS: X.:±0.50 X.X:±0.20 X.XX:±0.10

ANGLES: X°:±2.0° X.X°:±1.0°

CUSTOMER COPY

东莞市讯普电子科技有限公司
DongGuan XunPu Electronics Co.,Ltd

TITLE: USB TYPE-C 16PIN 母座
L=7.35

PAR TYPEC-304A-ACP16X

DWN

CHKD

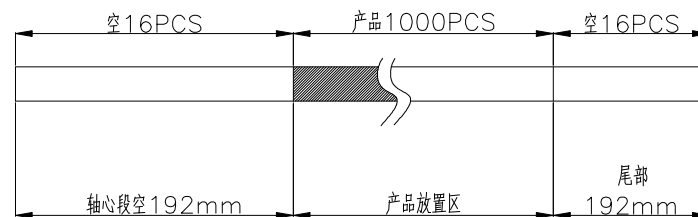
APVD

SCALE1:1 UNIT:MM

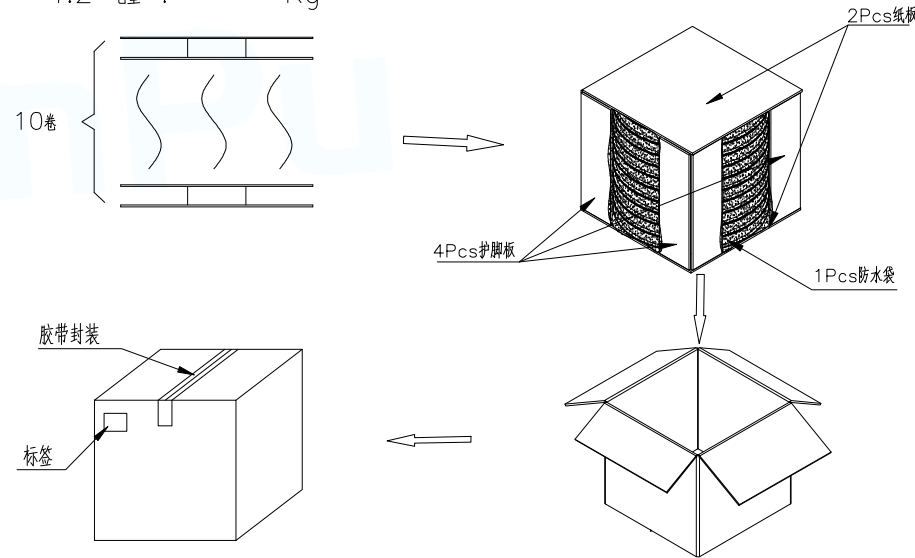
SIZE:A4 SHEET:1F1 REV:A

NOTES

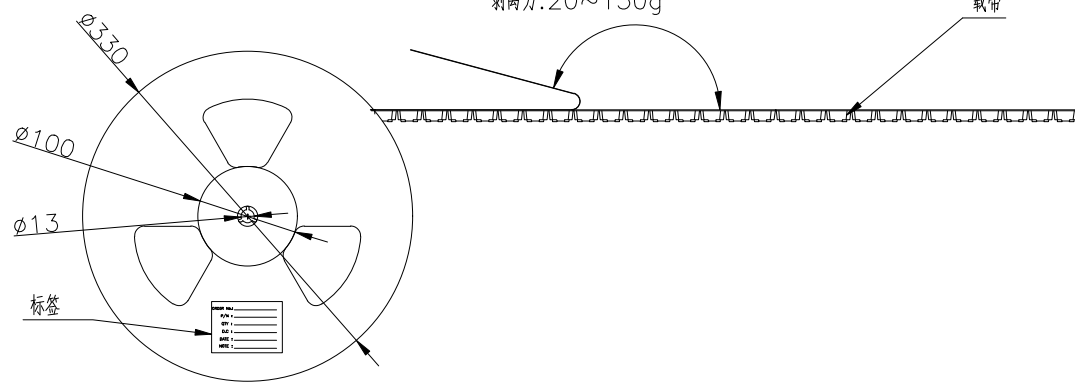
1. 每卷包装数量:1000PCS/每卷
2. 卷带包装方式:



3. 每箱包装数量:10000PCS/箱
4. 重量 :
 - 4.1 净重 : Kg
 - 4.2 毛重 : Kg



盖带剥离角度: $165^{\circ} \sim 180^{\circ}$
剥离力: 20~130g



MANUFACTURE DWG		 东莞市讯普电子科技有限公司 DongGuan XunPu Electronics Co.,Ltd	
UNLESS OTHERWISE SPECIFIED TOLERANCES			TITLE: USB TYPE-C 16PIN 母座 L=7.35
DECIMALS:	ANGLES:		PAR TYPEC-304A-ACP16X
X.: ± 0.50	X': $\pm 2.0^{\circ}$		DWN
X.X: ± 0.30	X.X': $\pm 1.0^{\circ}$		CHKD
X.XX: ± 0.10		APVD	SCALE 1:1 UNIT:MM
CUSTOMER COPY		SIZE:A4	SHEET:1F1 REV:A