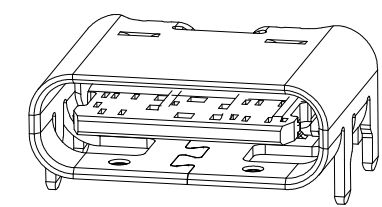


RECOMMENDED P.C.B. LAYOUT  
TOLERANCE UNSPECIFIED ±0.05mm

SPECIFICATION:

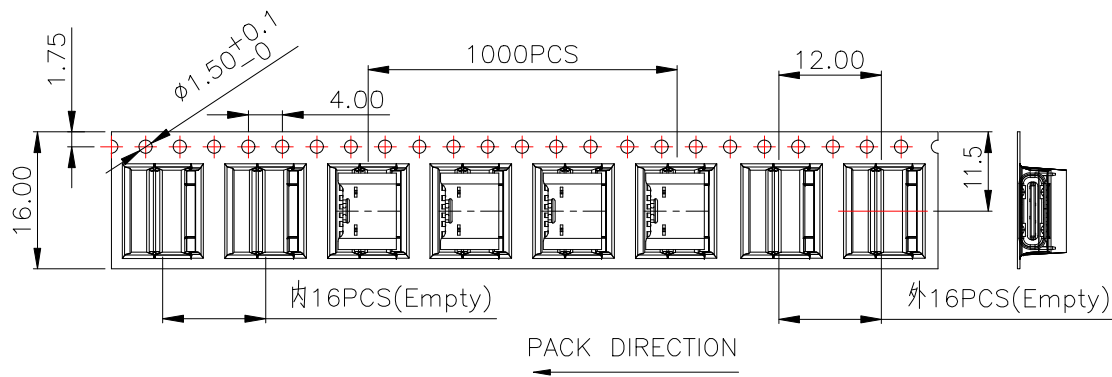
- Material & Finish: See the list;
- Mechanical:
  - Mating force: 5-20Nf;
  - Unmating force: 6-20Nf;
  - Durability: 3000 Cycles;
- Electrical:
  - Current Rating: 3A Max.;
  - Voltage Rating: 20V Max.;
  - Dielectric Withstanding voltage: 100Vac;
  - Contact resistance: 40m Ohms Max.;
  - Insulation Resistance: 100M Ohms Min.;
- Environmental:
  - Operating temperature: -40°C ~ +85°C;
  - Salt Spray Test: 24H Min. (No oxidation or rust);
  - Wetting Temperature: 265±5°C, 5±0.5s

A5	CC1	B5	CC2
A9	VBUS	B9	VBUS
A12	GND	B12	GND
PIN	SIGNAL	PIN	SIGNAL

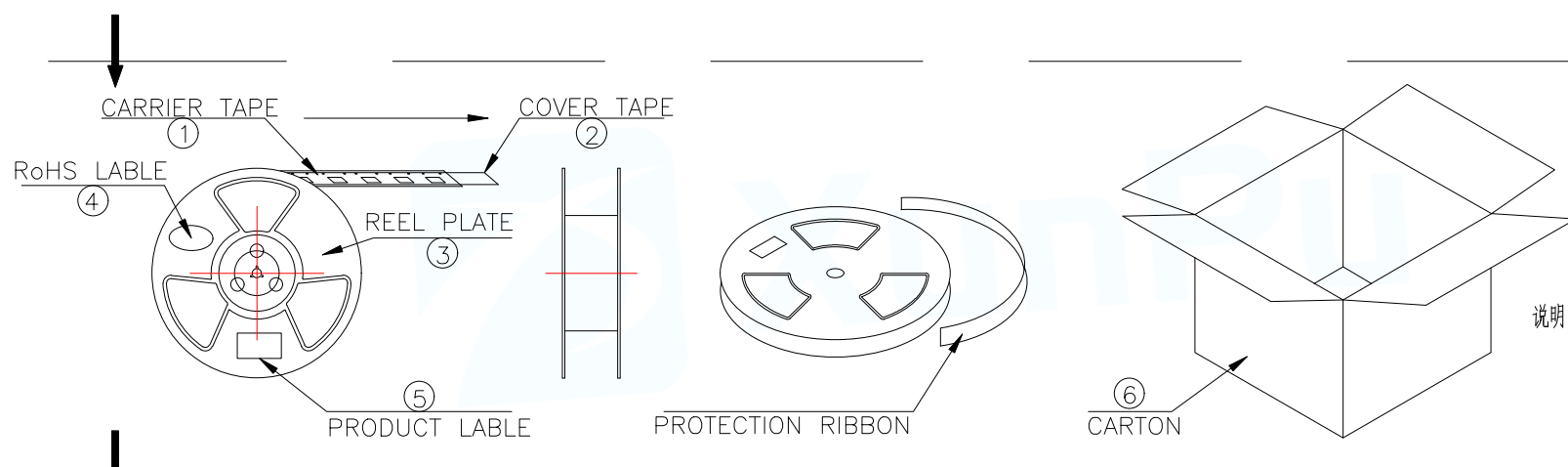


NO.	PART NAME	Q'TY	MATERIAL	FINISH
3	Shell	1	SUS201 T=0.30mm	Ni
2	Housing	1	LCP	UL 94 V-0
1	Contact	1	C5191 T=0.20mm	Au

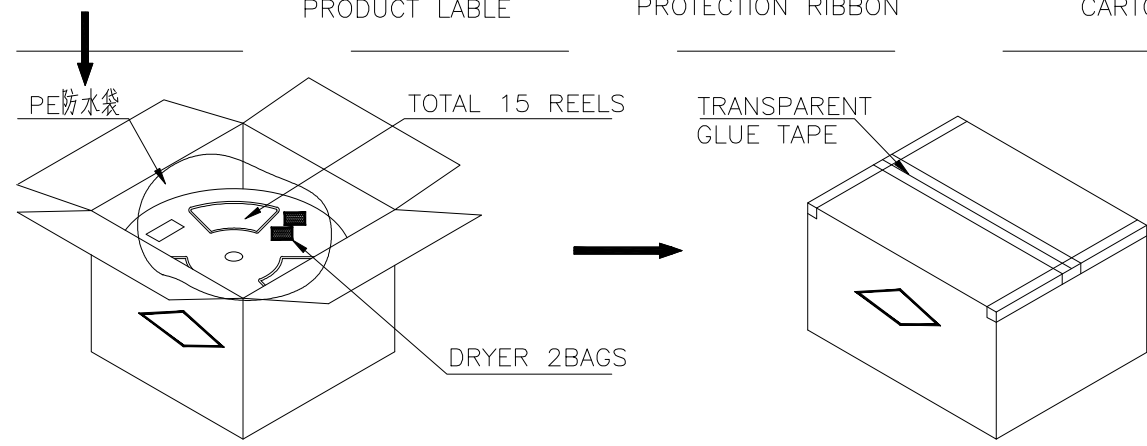
MANUFACTURE DWG		东莞市讯普电子科技有限公司 DongGuan XunPu Electronics Co., Ltd	
UNLESS OTHERWISE SPECIFIED TOLERANCES			TITLE: TYPE-C 6Pin 板间距6.80mm SMT
DECIMALS: .X:±0.30 .XX:±0.25 .XXX:±0.15			PAR TYPEC-250Y-BRP6L68
ANGLES: .X':±3' .XX':±2'			DWN
CUSTOMER COPY			CHKD
SCALE 1:1		UNIT: MM	APVD
SIZE: A4		SHEET: 1F1	REV: A



NO.	NAME	SPEC	Q'TY
①	TYPE C RECEPTACLE		15000PCS/CARTON
②	CARRIER TAPE	W=16mm,T=0.40mm	1000PCS/PLATE
③	COVER TAPE	W=13.2mm	15PLATES/CARTON
④	REEL PLATE	$\phi 330*100*16.4$ mm	15PCS/CARTON
⑤	RoHS LABEL		15PCS/CARTON
⑥	PRODUCT LABER		15PCS/CARTON
⑦	CARTON	340*340*325mm	1PCS/PACKAGE



- 说明:
1. 每卷前后各空 16PCS,尾部用美纹胶纸封住;
  2. 将产品放满盘后,再卷一圈保护带,用美纹胶纸将其封住,并贴上 1Pcs 物料标签;
  3. 每 15 卷盘一叠共 15000Pcs 装入 1 个外箱内;
  4. 在搬运过程中要轻拿轻放;
  5. 在运输中不可堆放过多(1.8M 最高),不可重压;
  6. 跌落测试条件:  
成品箱从 1.2 米高度自由落体(一角三棱六面):  
a. 产品不可跑出下带凹槽;  
b. 产品不可有摔伤,变形;  
c. 内包装材料不可严重破损.



MANUFACTURE DWG			 东莞市讯普电子科技有限公司 DongGuan XunPu Electronics Co.,Ltd	
UNLESS OTHERWISE SPECIFIED TOLERANCES			TITLE: TYPE-C 6Pin 间距6.80mm SMT	
DECIMALS:	ANGLES:	PAR	TYPEC-250Y-BRP6L68	
.X:±0.30	.X*:±3°	DWN		
.XX:±0.25	.XX*:±2°	CHKD		
.XXX:±0.15		APVD		
CUSTOMER COPY		SCALE 1:1	UNIT:MM	
		SIZE:A4	SHEET:1F1	REV:A